

EnergyPlus

*The Merger of BLAST and DOE-2**

C.O. Pedersen, D.E. Fisher, R.J. Liesen, R.K. Strand and R.D. Taylor,
University of Illinois at Urbana-Champaign

W.F. Buhl and F.C. Winkelmann
Lawrence Berkeley National Laboratory

L.K. Lawrie
US Army Construction Engineering Research Laboratories

D.B. Crawley
US Department of Energy

Introduction

The Federal Government, as the largest owner and operator of buildings in the United States, has long been aware of the importance of energy conscious building design and operation. Energy conscious engineering has the potential to save building owners and tenants millions of dollars and contribute to the conservation of vital natural resources. In an effort to promote energy efficiency, both DOD and DOE have separately funded the development of building energy analysis tools since the 1970s.

At the outset, both research efforts charted separate courses toward the same goal: a robust and comprehensive building energy analysis program. There was no way of knowing *a priori* which path would achieve the goal; therefore, it was prudent to fund multiple development efforts toward the same end. As it turned out, both research projects succeeded in producing useful energy analysis tools. The DOD effort produced the Building Loads Analysis and System Thermodynamics (BLAST) program that has its origins in the NBSLD program developed at the US National Bureau of Standards (now NIST). The DOE effort produced the DOE-2 program that has its origins in the Post Office program written for the US Post Office. The two programs are comprised of hundreds of subroutines each designed to solve a specific problem in achieving the overall goal. In some cases, the subroutines developed by the DOE-2 team were more accurate. In other cases, the subroutines developed by the BLAST team were more accurate.

The research initiative outlined in this paper describes the current efforts to consolidate the research and development gains of the last two decades. The name chosen for the new program is EnergyPlus. The goal is to take the best features and capabilities of BLAST and DOE-2 and combine them in a new program. Many new building technologies that cannot be evaluated by either BLAST or DOE-2 will be accessible with the new tool. In addition, a number of building simulation models that today can only be used by researchers will be included in the new program.

* For the complete text of this paper, please refer to the proceedings of IBPSA's Building Simulation '97, held September 8-10, 1997, in Prague, Czech Republic.

The Structure of EnergyPlus

Overall Program Structure

EnergyPlus will be structured using a free-format input file that contains a complete object-based description of the building and HVAC systems. This input file will be of a form that can be produced from the DOE-2 Building Description Language (BDL) file, the BLAST input file, or using preprocessing agents which may be developed in the future.

The building simulation will be based on the heat balance engine from IBLAST, a research version of BLAST with HVAC systems integrated into the building simulation. In order to provide maximum flexibility, an HVAC engine will be developed to handle the communication between the heat balance engine and the various HVAC modules, including DOE-2 and BLAST template systems, SPARK and HVACSIM+ systems, and other systems that may be developed in the future. The HVAC manager will also manage data communication between the HVAC modules and the input and output data structures.

The calculation engine will write results into an output data structure accessible to output post-processing agents. The output data structure will be simple yet complete so that interface developers can easily access the results of the simulation without modifying the calculation engine. The overall program structure is summarized in Fig. 1.

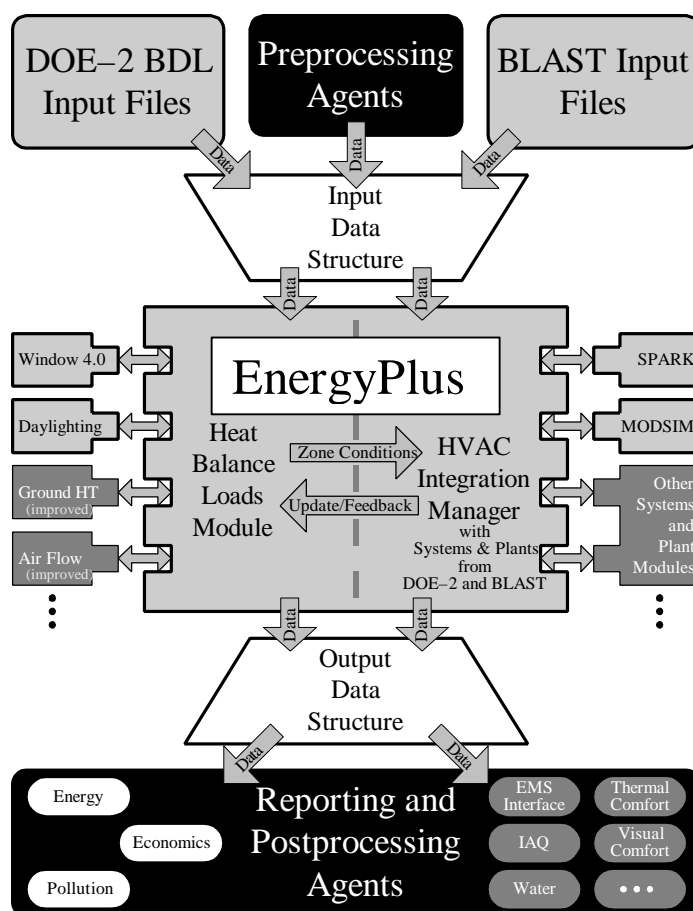


Figure 1: Simulation Overview

Solution Technique: Integrated Simulation

There is strong consensus in the design community that a tool with additional capabilities is needed. Recent user surveys by both DOE and DOD indicated strong support for the project. This is in large part due to the inclusion of integrated simulation capabilities in the new program. EnergyPlus will utilize the IBLAST integrated solution technique to correct the most serious deficiency of the BLAST and DOE-2 sequential simulations — the inaccurate prediction of space temperatures. Accurate prediction of space temperatures is crucial to energy efficient system engineering. System sizes, plant sizes, occupant comfort and occupant health are all dependent on space temperatures.

Integrated simulation allows engineers and architects to evaluate a number of energy saving measures that cannot be simulated adequately with either DOE-2 or BLAST. These include:

- “Free cooling” using outside air
- Realistic system controls
- Moisture adsorption and desorption in building elements
- Radiant heating and cooling systems

Program Elements to be Included

In addition to providing users the capability of using either BLAST or DOE-2 input formats, EnergyPlus will incorporate features from both programs into the calculation engine, as shown in the following table

Source of EnergyPlus Program Elements

Concepts to be taken from IBLAST		
Simultaneous Solution Technique	Heat Balance Engine	Coil Models
Combined Heat and Mass Transfer	Interior Convection	Internal Mass
Radiant Heating and Cooling	MODSIM Connection	Thermal Comfort
System and Plant Models		
Concepts to be taken from DOE-2		
Daylighting	SPARK Connection	Advanced Fenestration
System and Plant Models	Switchable Glazing	Sky Models
Input Function Capability		
New Features		
HVAC Water and Air Loops	Interzone Airflow	
Implied New Programming for Infrastructure		
New Reporting Mechanism		

Simulation Management

At the outermost program level, a Simulation Manager Module (shown schematically in Fig. 2) controls the entire loop structure of the simulation. This includes all of the simulation loops from the sub-hour level up through the complete simulation period, which may be a season or a year or several years. The actions of the individual simulation modules are directed through simulation status flags. These flags tell the simulations to take certain actions such as initialization, reporting or record keeping.

The Heat and Mass Balance Engine

The EnergyPlus program will incorporate a heat balance model for building thermal zone simulations. Several fundamental assumptions are implied in the formulation. The most fundamental of these is that the air in the thermal zone can be modeled as well-stirred. This

means it has a uniform temperature throughout the zone because it mixes by motion within itself. There is ongoing research into more complex models lying somewhere between the well stirred model and a full CFD calculation. The EnergyPlus modular structure will allow these models to be included into an energy simulation so their overall effect on can be evaluated from different viewpoints.

The other major assumption in the current heat balance model is that the surfaces of the room (walls, windows, floor, etc.) can be treated as entities having:
 uniform surface temperatures,
 uniform long and short wave irradiation,
 diffuse radiating surfaces, and
 one-dimensional heat conduction.

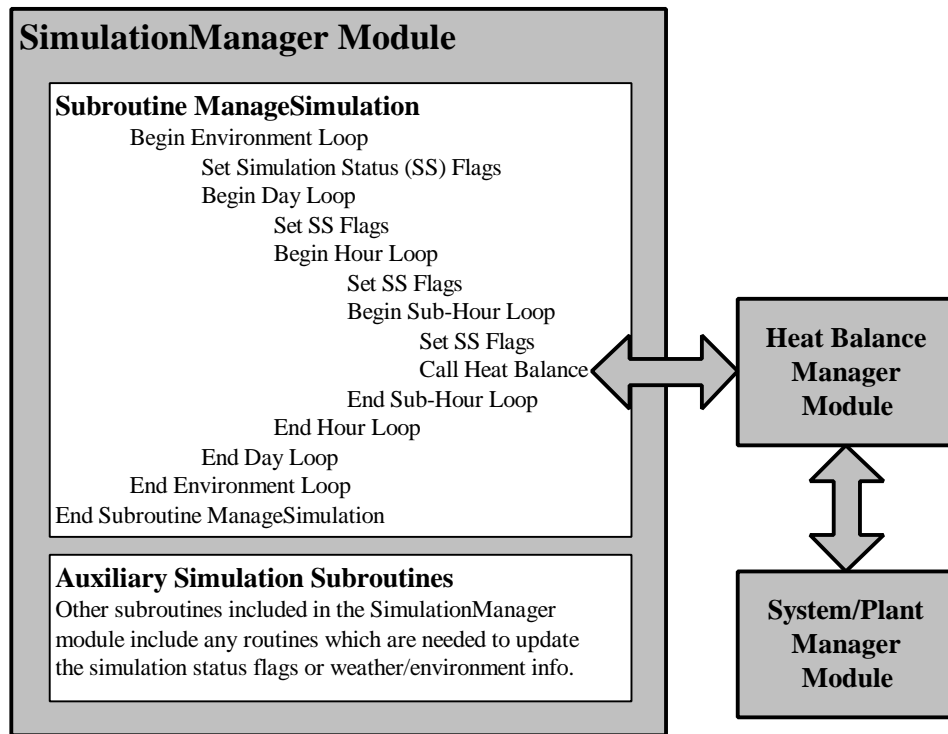


Figure 2: Simulation Manager

Within the framework of these assumptions, the current heat balance model can be constructed out of four distinct processes:

- The outside face heat balance.
- The wall conduction process.
- The inside face heat balance.
- The air heat balance.

The air heat balance also implies an air mass balance which takes into account various mass streams (exhaust air, infiltration, etc.). The relationships between the four fundamental processes are shown schematically in Fig. 3. Each of the fundamental processes is shown in a rounded box in the figure. The energy flow is indicated with arrows. If an energy exchange is taking place, the arrows point in both directions.

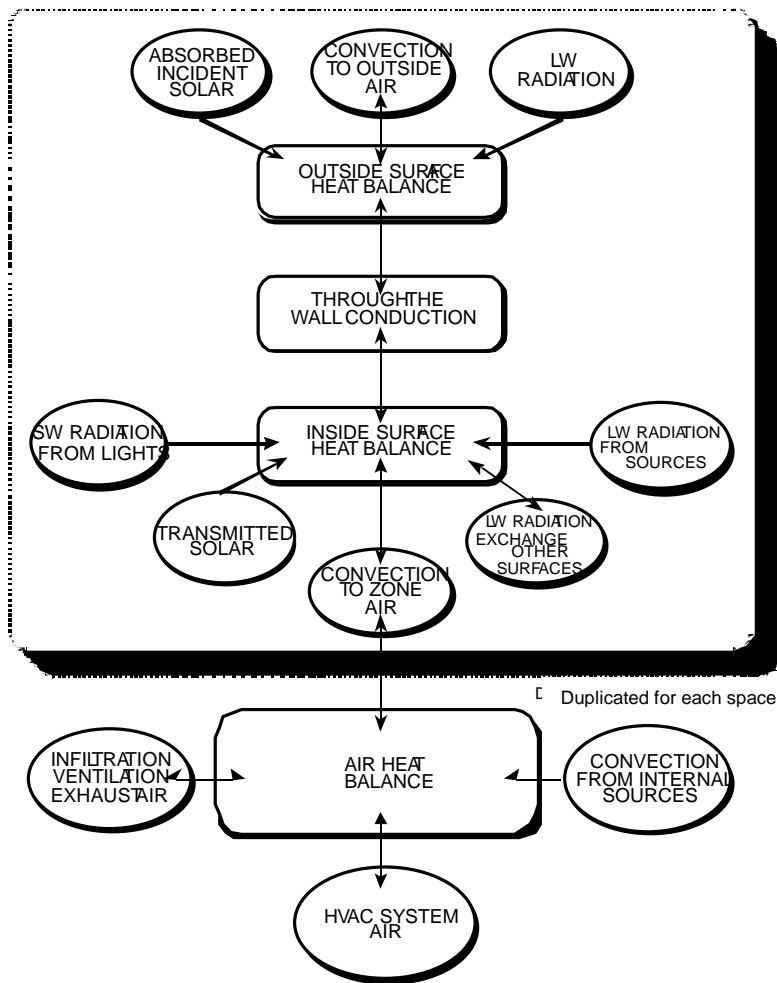


Figure 3: Heat Balance Solution Technique

The processes depicted in Fig. 3 are for an opaque surface. A transparent surface would be similar except the absorbed solar energy would be split into an inward and an outward flowing fraction. These, in turn, would participate in the corresponding surface heat balances. Except for the air heat balance, the processes shown are repeated for each surface in the space.

The HVAC Engine

The sequential simulation of building, air distribution system and central plant found in DOE-2 and BLAST imposes rigid boundaries on the program structures. The simultaneous solution technique used in EnergyPlus allows for the redrawing of those boundaries.

The schematic in Fig. 4 visualizes a typical system in the context of the EnergyPlus simulation. The HVAC systems have been divided into three blocks on the basis of information flow. The goal was to minimize the information flow paths between blocks so that data could be localized to the greatest extent possible. The heat extraction block represents the interaction with the heat balance engine. This is indicated by the squares labeled "zones". The schematic shows only two zones per system type, and two system types, but these numbers can be increased arbitrarily. The information that is passed between the interface block and the heat extraction

block consists of airflow rates, enthalpies, and temperatures. This is the information needed by the air balance part of the heat balance engine.

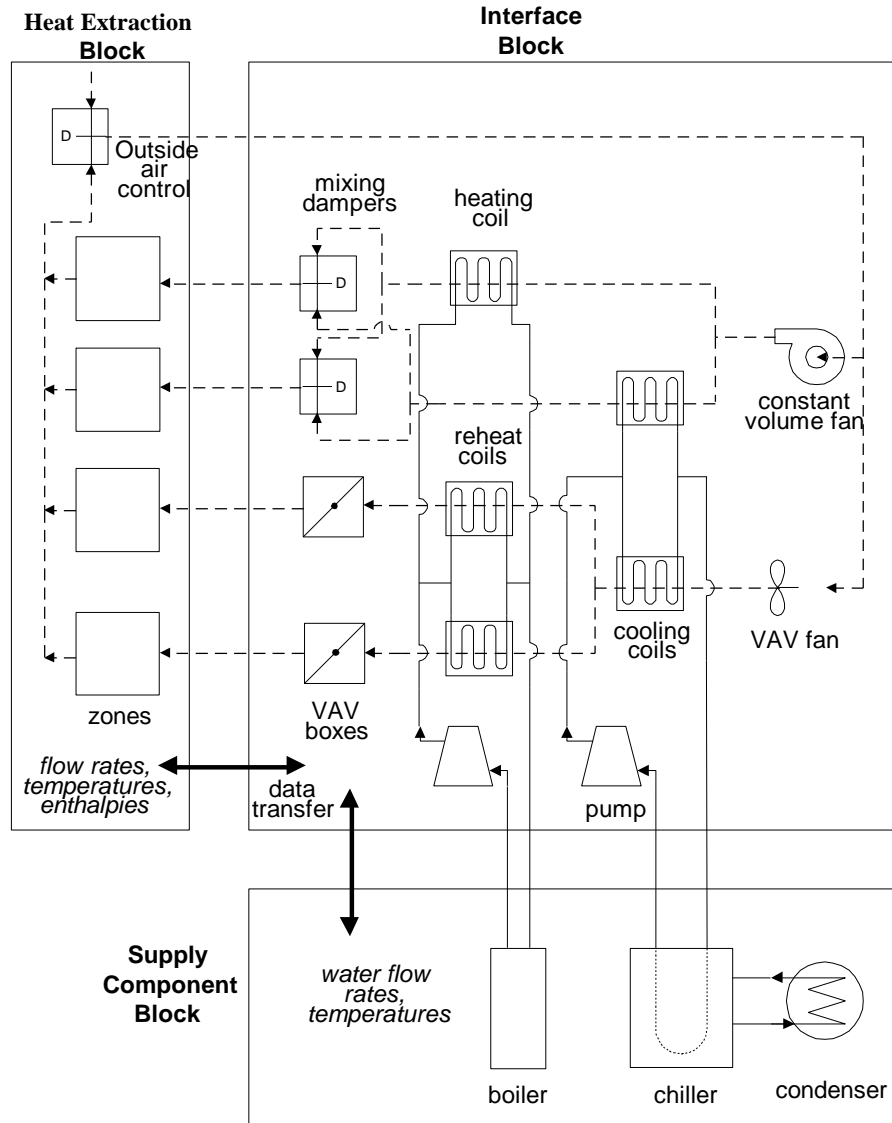


Figure 4: Schematic of Representative HVAC Simulation

The supply component block contains the code to simulate the primary energy components such as boilers and chillers. Again, the information passed to the interface block consists of flow rates and temperatures of a fluid which could be water, brine, refrigerant or other heat transfer medium.

The interface block contains the routines necessary to simulate the pumps, fans, coils, and airflow control devices. Of these, the coil simulation is the most difficult, and a modular structure within the block allows alternative coil models to be substituted easily.

The EnergyPlus HVAC simulation will be based on “water distribution loops” and “air distribution loops” rather than equipment types. This structure results in a blurring of the traditional boundaries between the building, the air distribution system and the central plant.

Software Development Plan

Programming Goals

FORTRAN90 (F90) was selected as the programming language for EnergyPlus for two reasons:

- Both BLAST and DOE-2 were written in previous versions of FORTRAN. Thus the code can move by evolution to the new language.
- F90 allows movement toward an object-based simulation by providing a modular structure.

In the context of this development, F90 refers to the full American National Standard FORTRAN 90 language as defined in the American National Standard Programming Language FORTRAN 90, ANSI X3.198-1992 and International Standards Organization Programming Language FORTRAN, ISO/IEC 1539:1991(E). Two subclasses of code will be allowed in the program:

FORTRAN90 Strict Code that adheres to at least the FORTRAN77 standard and includes all new features of FORTRAN90.

FORTRAN90 Pure Code that does not contain any of the features which have been ruled obsolete by the FORTRAN90 standard.

Three types of code may coexist in any particular version of the program at one time:

Legacy Code Program code from IBLAST and DOE-2 that will be rewritten, but without algorithm changes, for reasons of time constraints, testing considerations, etc.

Reengineered Code Concepts that have been reengineered based on first principles and then modified to fit the proposed guidelines agreed upon by the team members. The starting point for reengineered code is capabilities from either IBLAST or DOE-2.

New Code

However, while these types of code will coexist in the EnergyPlus source, different expectations on the relative “purity” of the code will be enforced. All legacy code that is included in EnergyPlus must be at least F90 strict. Mildly reengineered code (near legacy) which has not undergone any algorithm changes (only inclusion in a module, renaming of variables, etc.) will be allowed as long as it conforms to the F90 strict test. Reengineered code that has been modified significantly and all new code will be required to conform to the F90 pure standard.

Modularization of the Code

In order to make it easy to extend the basic capabilities of EnergyPlus, the developers are following a modularization process that results in a more object-oriented structure. Three types of modules are being used: modules that contain data only, modules that contain both data and procedures, and some modules that only contain procedures. The data-only modules are used to make global data available to modules throughout the code. The data-plus-procedure

modules are the workhorses of the simulation, and the procedure-only modules supply utility functions. In order to make the modularization possible it is necessary to incorporate a series of manager modules whose function it is to control the overall execution of the program. One of these modules, the simulation manager was described previously.

The Reengineering Process

The modularization described in the previous section involves a major restructuring of the code contained in either DOE-2 or BLAST. Such a restructuring could result in major rewrites involving a long development time period, and very extensive testing to ensure the new code performs as intended. However, because the development team has chosen Fortran90 as the language with Fortran77 as a subset, the development can proceed using a process which we call Evolutionary Reengineering (ER). This is a newly-developed process that incrementally moves from old unstructured legacy code to new modular code by incorporating the new code with the old. The existing code retains its capability to interface with the user input data, and is extended to generate parameters needed by the new code modules. In this way the new modules can be verified without having to completely replace the entire functional capability of the old program with new code before any verification can take place. As the process proceeds, the parameters being supplied by old routines can be supplanted by those available from new routines and new data structures. This makes the transition evolutionary, and permits a smooth transition with a greater capability for verification testing.

The process is shown schematically in Fig. 5 as a series of four stages. The first stage is the starting point with legacy code and traditional input and output. The second stage, which could consist of several sub-stages, incorporates new structured code with the legacy code. This new code receives all needed inputs from the legacy code, and produces only developers' verification output. This stage is considered complete when it includes the fundamental initial modules, and has defined interfaces for new plug-in modules. In the third stage the new input data structure is included to supply input to the structured code modules, which have been algorithmically verified. In the fourth stage, the new output data structure is incorporated, and the transition is complete.

Simulation Input file Concepts

While both DOE-2 and IBLAST have structured input file definitions that have grown over time, EnergyPlus has been designed as a product for the "future". In order to maintain the possibility of accepting simulation inputs from many sources, such as CADD systems, programs which also do other functions, and similar pre-processors that have been written for BLAST and DOE-2, we have chosen to keep the actual input file very simple. It is not intended as the main interface for the end-user. We are encouraging the private sector to create a variety of user-friendly interfaces for EnergyPlus. The actual input file, while readable, will be cryptic and definitely not "user-friendly".

The input file will have words that denote "objects" of the building simulation, such as WALL, MATERIAL, LIGHTING, SYSTEM, HEATING COIL, etc. Following each object will be a list of values that describes to EnergyPlus the intentions for that item in the simulation. By working with outside interface developers, we intend to keep this file easy to produce from most programs that building designers will use. In addition, with the very loose structure (which will be more rigorously depicted in a Data Dictionary), we intend that new module developers will find it easy to add capabilities to EnergyPlus.

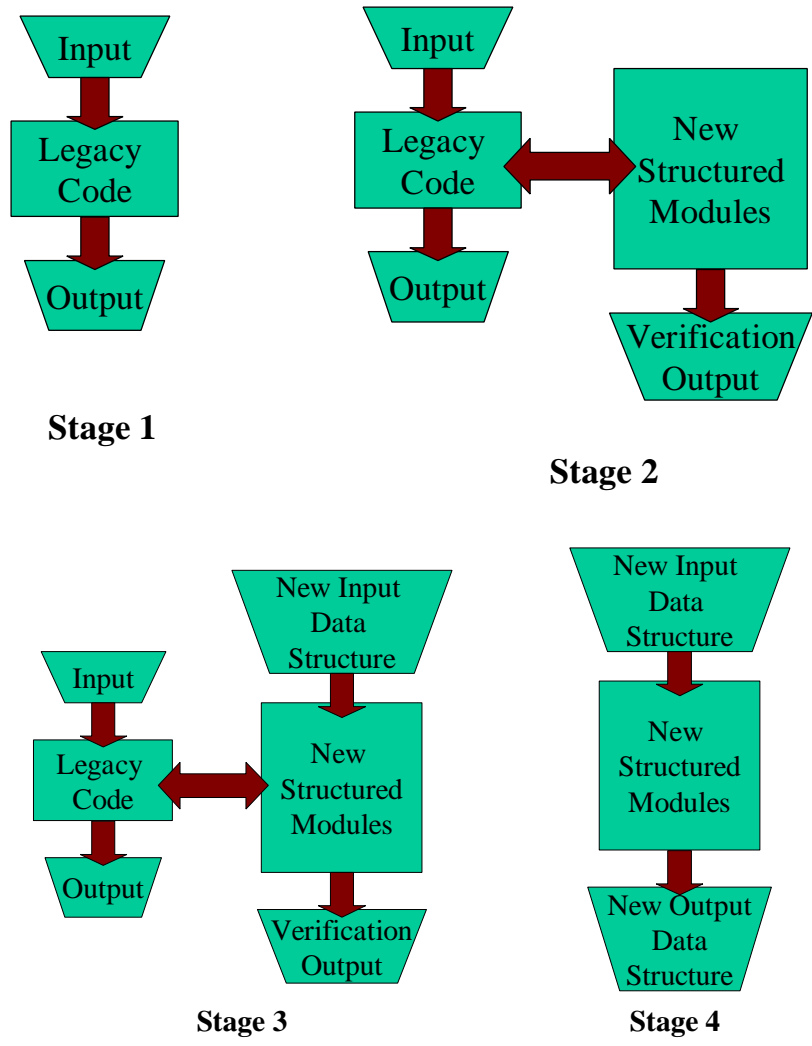


Figure 5: Evolutionary Reengineering Process

Conclusion

The EnergyPlus project not only combines the best features of the BLAST and DOE-2 programs, but also represents a significant step towards next-generation building simulation programs both in terms of computational techniques and program structures. Connectivity and extensibility are overriding constraints in the design process. This will ensure broad participation in program enhancement and facilitate third-party interface development.

Every effort has been made to maintain continuity between the existing BLAST and DOE-2 programs and EnergyPlus. The BLAST and DOE-2 development teams were merged into a single team for the EnergyPlus project, and a high priority has been placed on an input format and program structure that facilitates transition to the new program.

References

Taylor, R. D., Pedersen, C. O., Lawrie, L. L., 1990. "Simultaneous simulation of buildings and mechanical systems in heat balance based energy analysis programs," in *Proceedings Of The 3rd International Conference On System Simulation in Buildings*. December 3-5, 1990 Palace Of Congress, Liege, Belgium

Walton, G. N. 1990, "A New Algorithm for Radiant Interchange in Room Loads Calculations", ASHRAE Transactions, 1990, Vol. 86, Part 2, pp. 190-208.

Pedersen, C. O., Fisher, D. E. and Liesen, R. J. 1997. "Development of a Heat Balanced Procedure for Cooling Loads", ASHRAE Transactions, 1997, Vol. 103, Part 1.

Liesen, R. J. and C. O. Pedersen., 1997 "An Evaluation of Inside Surface Heat Balance Models for Cooling Load Calculations", ASHRAE Transactions, 1997, Vol. 103, Part 1.

Hittle, D. C. 1979, Calculating Building Heating and Cooling Loads using the Frequency Response of Multi-layered Slabs , Ph.D. Thesis, University of Illinois at Urbana-Champaign, December 1979.

Winkelmann, F.C., B.E. Birdsall, W.F. Buhl, K.L. Ellington, A.E. Erdem, J.J. Hirsch, and S. Gates. 1993. *DOE-2 Supplement, Version 2.1E*, LBL-34947, November 1993, Lawrence Berkeley National Laboratory. Springfield, Virginia, National Technical Information Service.